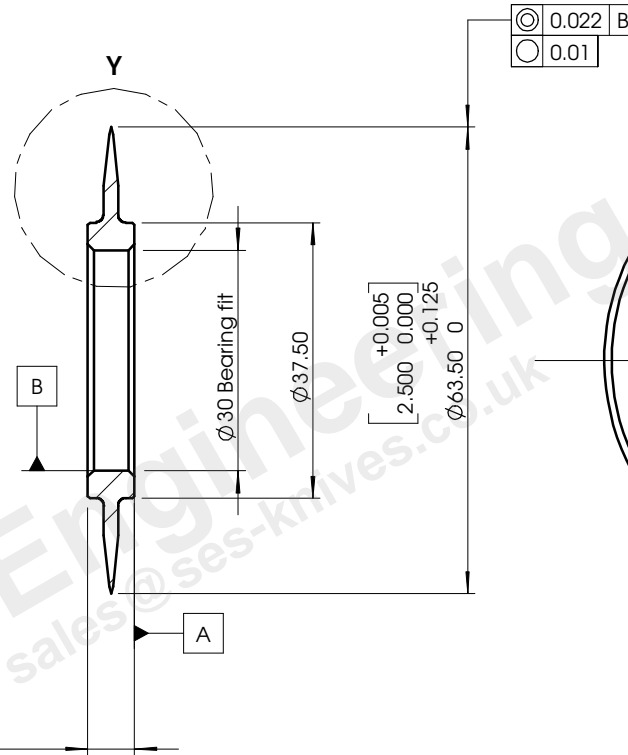
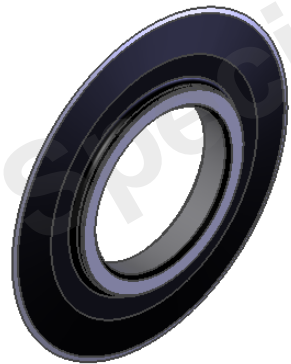
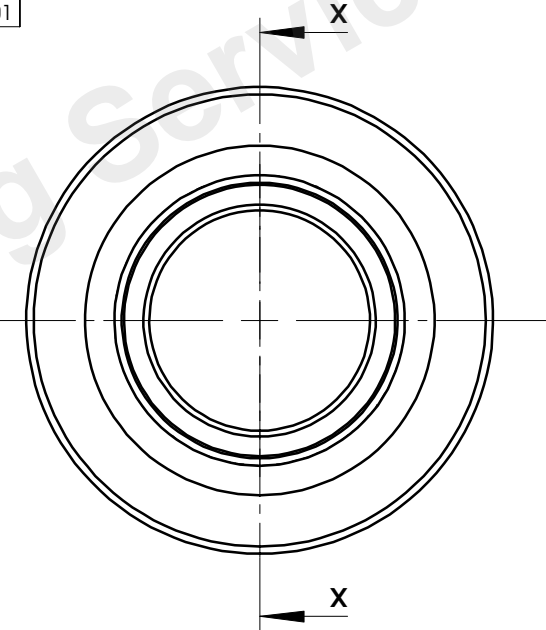


**DETAIL Y
SCALE 3 : 1**




**SECTION X-X
SCALE 1 : 1**



0.000
0.250 -0.001
0
6.35 -0.025
// 0.012 A

0.022 B
0.01

	UNLESS OTHERWISE SPECIFIED:		NAME	DATE	<i>Specialised Engineering Services</i> 63.50 x 30 x 6.35 mm crush cutter		
	DIMENSIONS ARE IN MM		DRAWN	J.R.Eades 15-10-07			
	TOLERANCES AS SHOWN		CHECKED				
	1ST ANGLE PROJECTION		ENG APPR.				
			MFG APPR.				
			Q.A.				
		MATERIAL D2	PROPRIETARY AND CONFIDENTIAL THE INFORMATION CONTAINED IN THIS DRAWING IS THE SOLE PROPERTY OF SPECIALISED ENGINEERING SERVICES. ANY REPRODUCTION IN PART OR AS A WHOLE WITHOUT THE WRITTEN PERMISSION OF SPECIALISED ENGINEERING SERVICES IS PROHIBITED.		SIZE	DWG. NO.	REV
		HARDNESS 61 / 63 HRC			A	SES -1000 - 237	
REV.	DATE	DETAIL	COMMENTS	DO NOT SCALE DRAWING	SCALE: 1 : 1	WEIGHT IN GRAMS: 39	SHEET 1 OF 1

5

4

3

2

1